

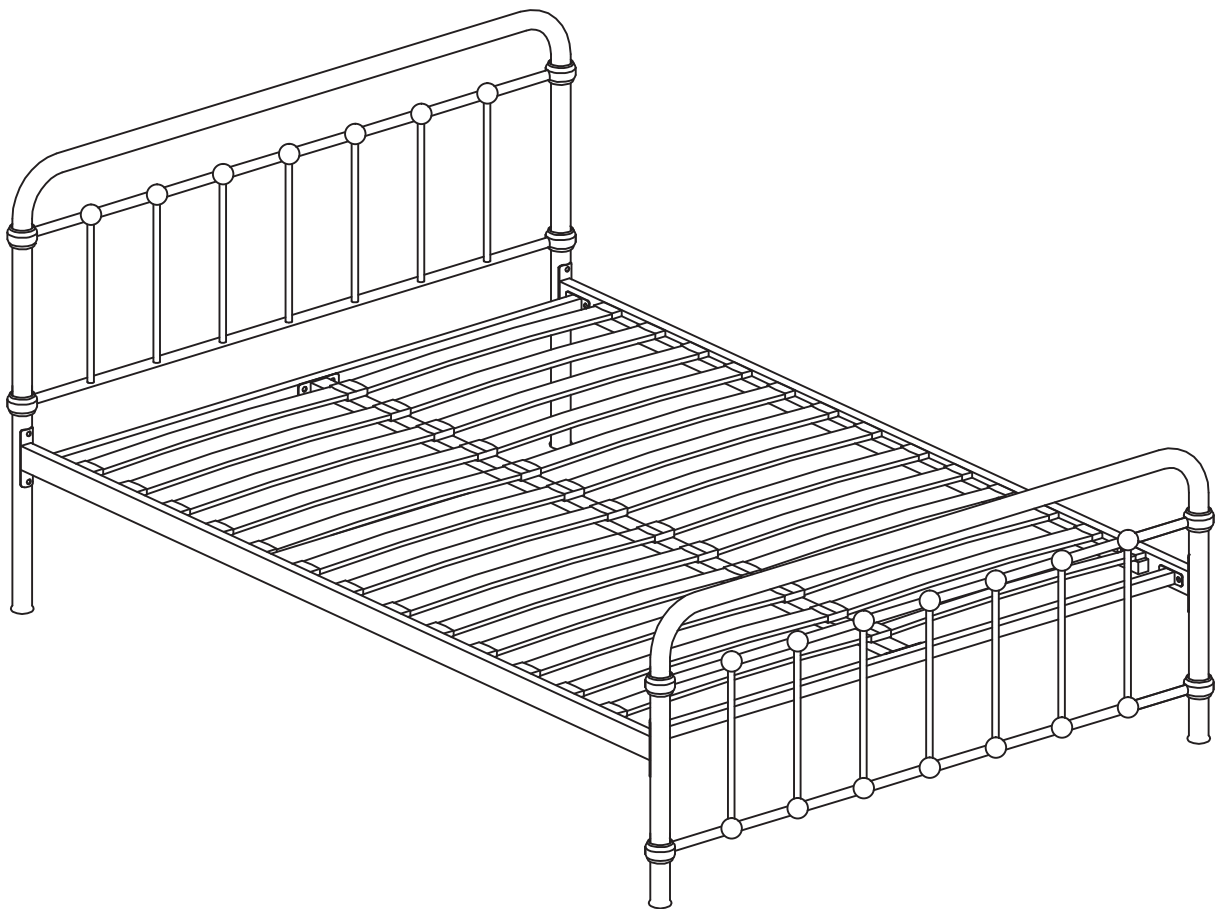
ASSEMBLY INSTRUCTIONS

“COMPTON METAL BED”

SIZE: SINGLE, SMALL DOUBLE, DOUBLE & KING

Please read this sheet prior to assembly to familiarise yourself with the various stage of construction. Carefully open the pack supplied and check the content against the parts and fitting check list. Do not destroy any of the packing until you are certain that you have all the necessary part for assembly. If for any reason you need to return this item, you must return it in its original packaging.

Assembled items cannot be returned.



IMPORTANT NOTE:

- PLACE ALL PARTS ON A CLEAN AND SMOOTH SURFACE SUCH AS A RUG OR CARPET TO AVOID THE PARTS BEING SCRATCHED.
- BEFORE YOU BEGIN, KINDLY FOLLOW THE ASSEMBLY INSTRUCTIONS STEP BY STEP.
- DO NOT TIGHEN ALL SCREWS UNTIL THE BED IS FULLY SET-UP.

Important Information

IMPORTANT - READ CAREFULLY - RETAIN THESE INSTRUCTIONS FOR FUTURE REFERENCE.

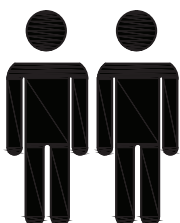
- Due to the size of this product we recommend that it is assembled in the room intended for use.
- When you are ready to start, make sure that you have the right tools, plenty of space and a clean, dry area for assembly.
- Unwrap all packaging materials and place the components on top of the carton box or on a clean floor to prevent it from scratching.
- Check the pack and make sure you have all the parts listed.
- Ensure that this product is fully assembled and secured as illustrated before use.
- Check all screws or bolts are tightened and inspect regularly.
- This product should only be used on firm, level ground.
- Keep small parts out of reach of children.
- Make sure the legs remain in contact with the ground.
- Tools are included.

WARNINGS

- Do not place bed near heat sources, windows or other furniture, This includes danger of blind cords, curtain pulls, other strings or cords.
- This product is intended for a maximum person's weight of 100kg per side. Do not exceed this weight.
- Children can be trapped between the bed and the wall. To avoid risk of serious injury the bed should be placed tight to the wall or have a gap of 300mm from the side of the bed to the wall.
- Do not use the bed if any part is broken, torn or missing.
- Not suitable for children under 4 years old.
- Do not use power tools to construct this product.
- Do not tighten screws until fully assembled.
- Do not over tighten screws or bolts.
- Do not stand on the product.
- Please pay particular attention when children or animals to ensure that no accidental entrapment occurs whilst operating this product.


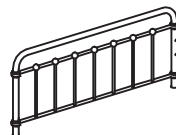
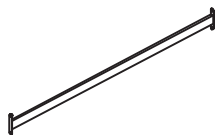
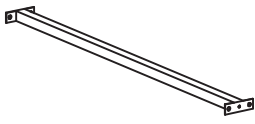



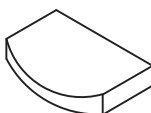


CARE INFORMATION

- Never use scourers, abrasives or chemical cleaners.
- To clean wipe with a sponge and warm soapy water. Do not use solvent based cleaners or detergents as they can bleach or damage the product.







2 Person Build

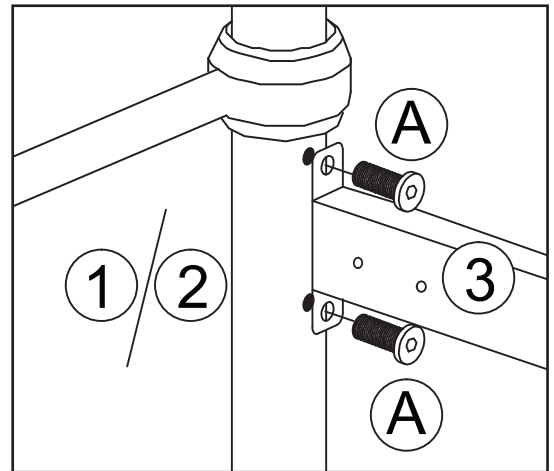
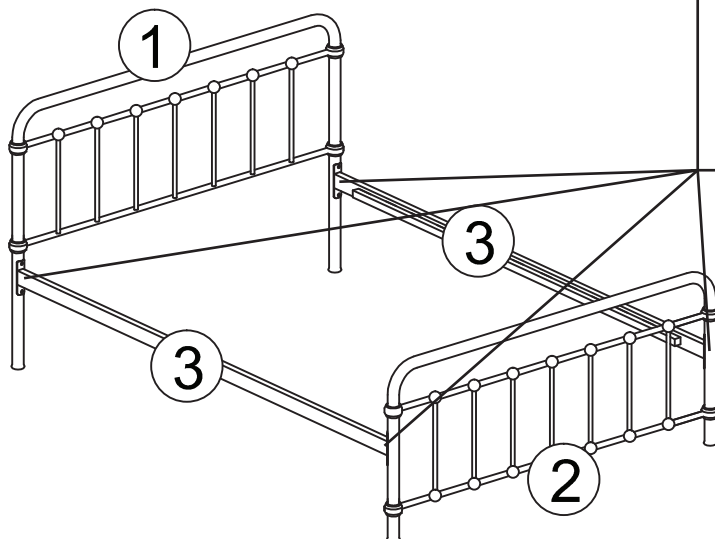
LIST OF PARTS

1  HEADBOARD	2  FOOTBOARD	3  SIDE RAIL	4  END RAIL	5  CENTRE RAIL (2 PCS EV PAD STICK UNDERNEATH)
1 PC	1 PC	2 PCS	2 PCS	1 PC
6  HORIZONTAL SUPPORT RAIL	7  WOODEN SLAT	8  END SLAT CAPS	9  CENTRE SLATS CAPS	10  EV PAD
2 PCS	28 PCS (SINGLE / SMALL DOUBLE / DOUBLE) 32 PCS (KING)	28 PCS (SINGLE / SMALL DOUBLE / DOUBLE) 32 PCS (KING)	14 PCS (SINGLE / SMALL DOUBLE / DOUBLE) 16 PCS (KING)	4 PCS



LIST OF HARDWARE

A  M6*15mm BOLT	B  M6*40mm BOLT	C  "T" NUT	D  M4 ALLEN KEY
20 PCS	4 PCS	4 PCS	1 PC

STEP 1

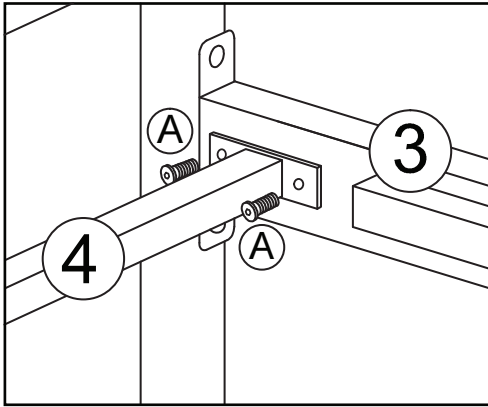


• Please link to 4 point same assembly.

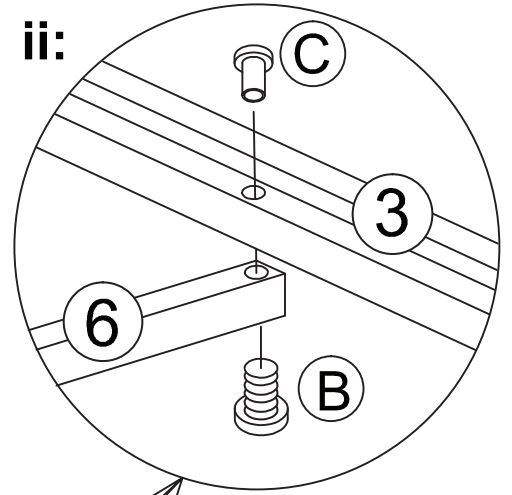
A  8 PCS	D  1 PC
---	--

STEP 2

i:

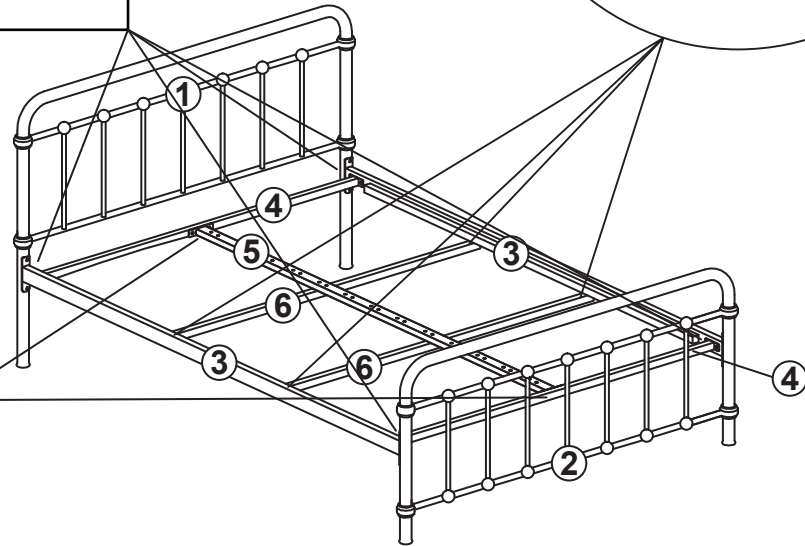
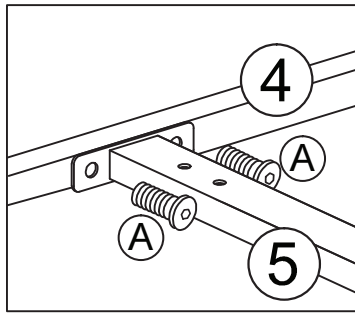






ii:



PART 5:
2 PCS EV PAD STICK
UNDERNEATH
(To avoid any direct friction
on Part 5 & 6)

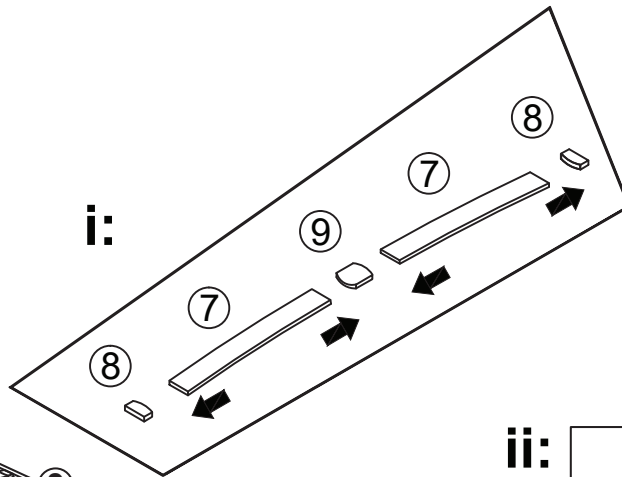
iii:



<p>A</p>  <p>12 PCS</p>	<p>B</p>  <p>4 PCS</p>	<p>C</p>  <p>4 PCS</p>	<p>D</p>  <p>1 PC</p>
---	--	--	---

STEP 3

i:



ii:

