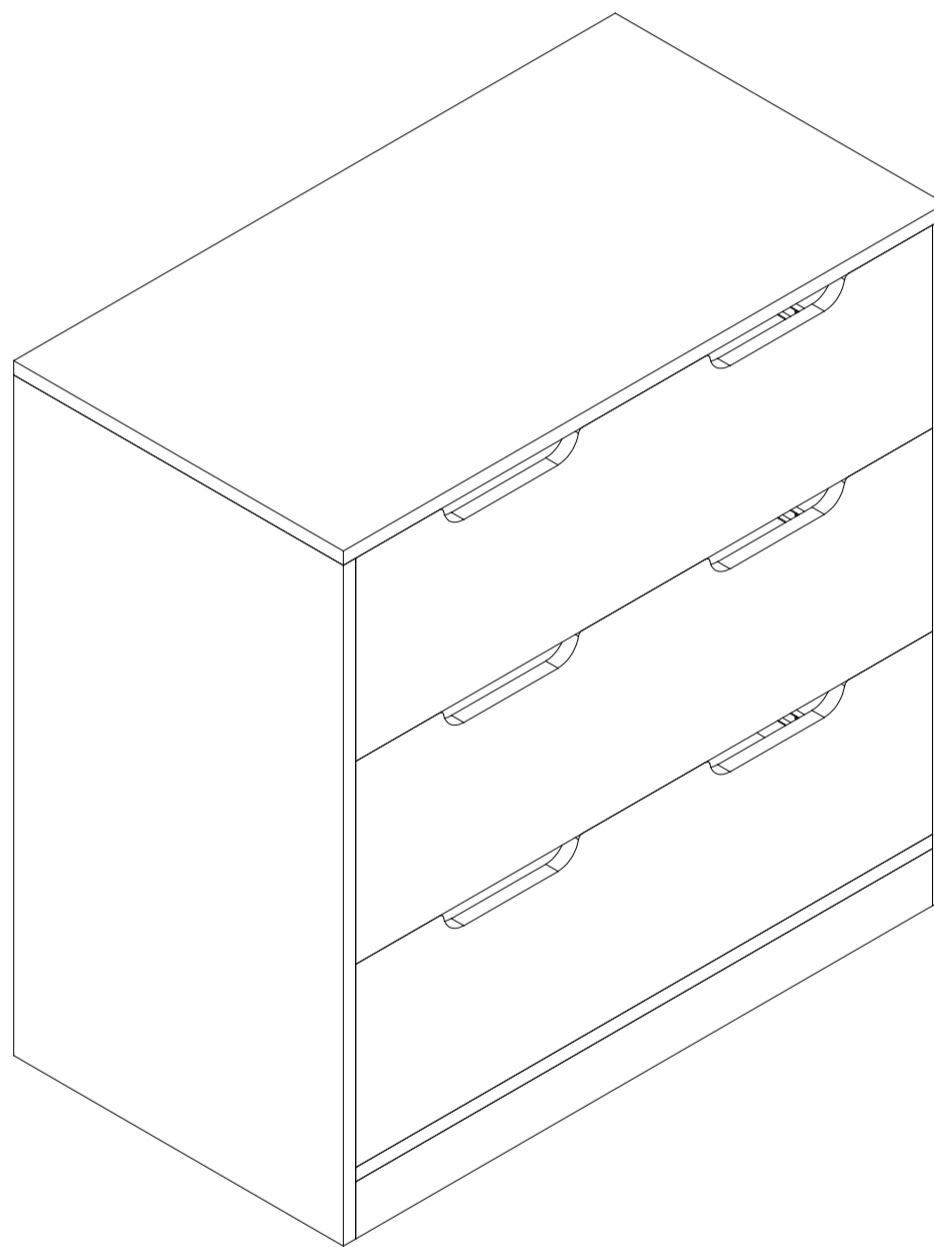
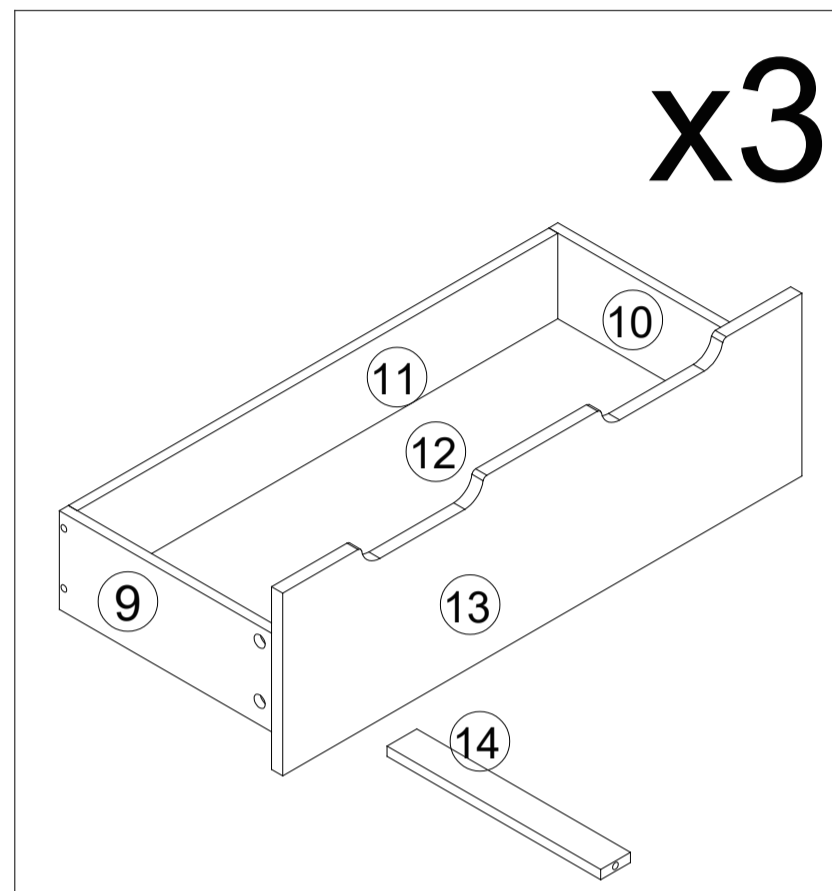
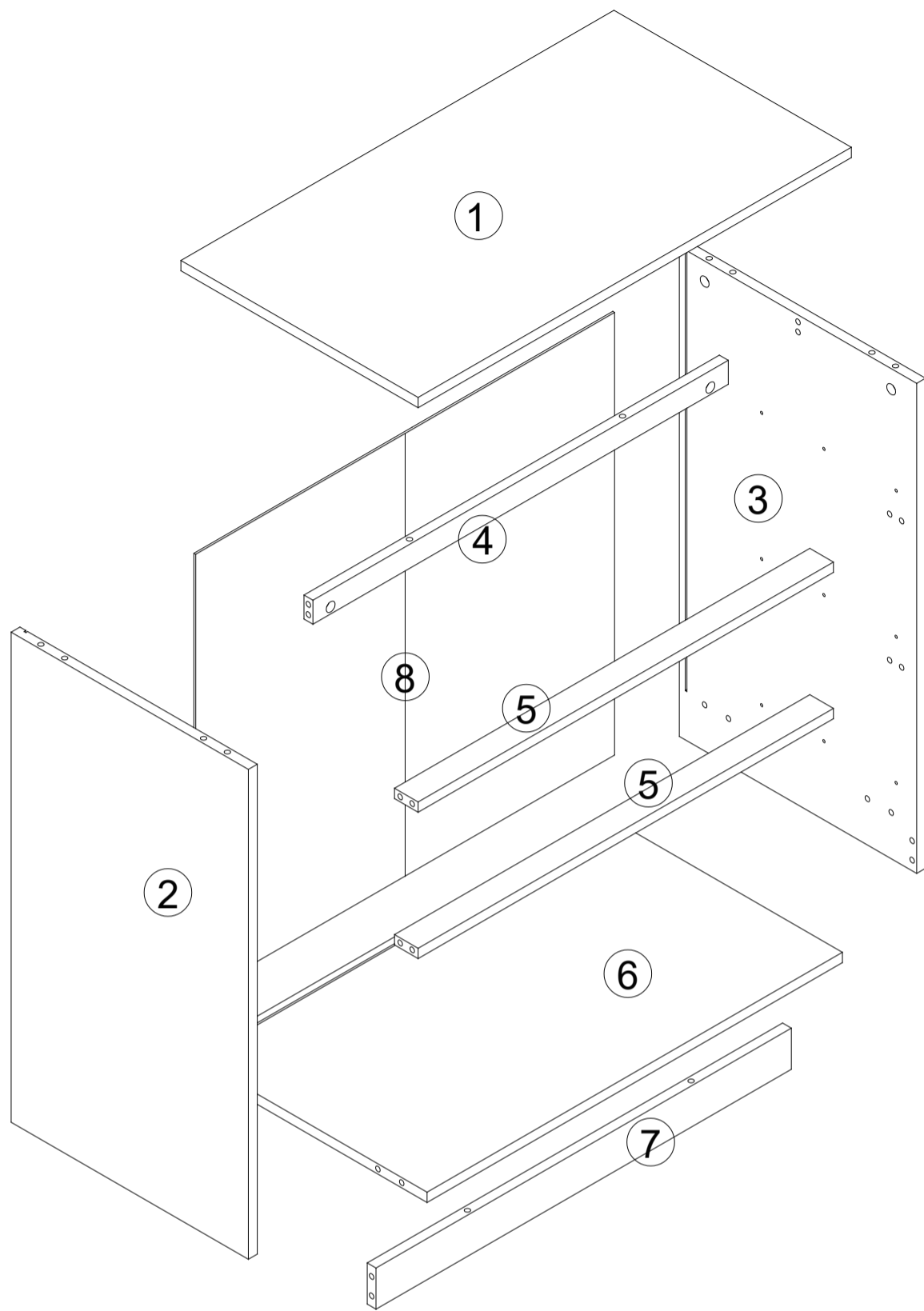
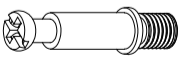
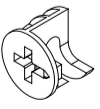

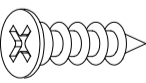
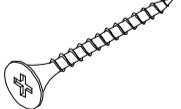


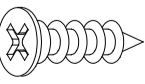
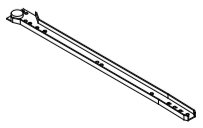
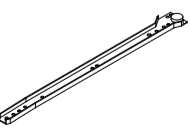
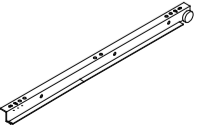
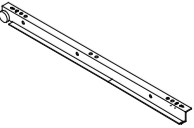


ASSEMBLY INSTRUCTION

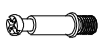



FLAIR LOOP 3 DRAWER CHEST

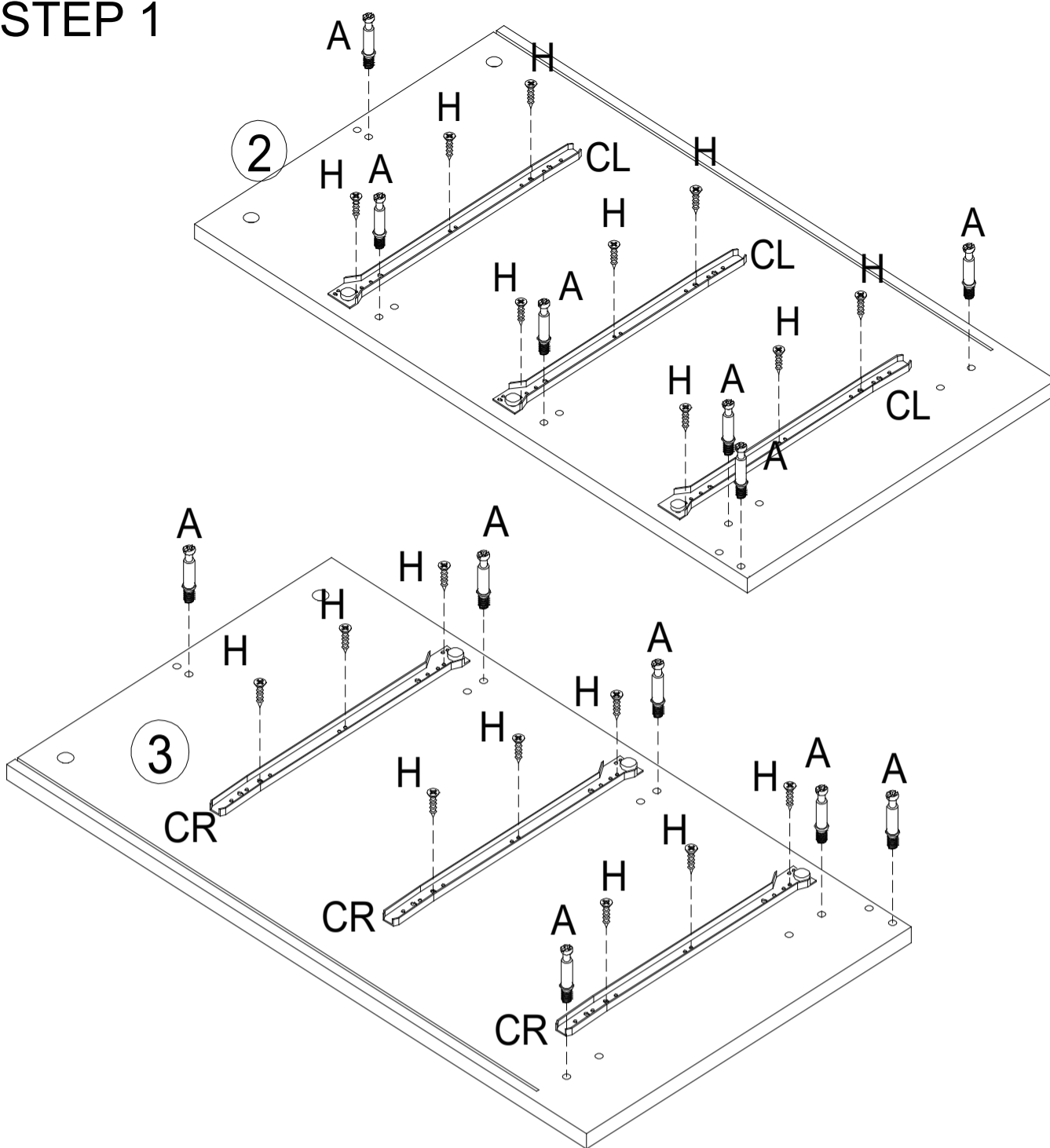





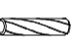
| | | | | | | |
|--|--|--|---|--|---|---|
|  6x35mm A x 31 |  B x 31 |  6x30mm C x 24 |  3x14mm D x 2 |  4x35mm E x 19 |  F x 2 |  G x 2 |
|  3.5x12mm H x 36 |  CL x 3 |  CR x 3 |  DL x 3 |  DR x 3 | | |

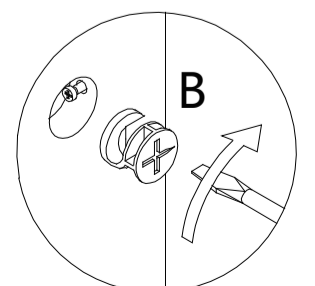
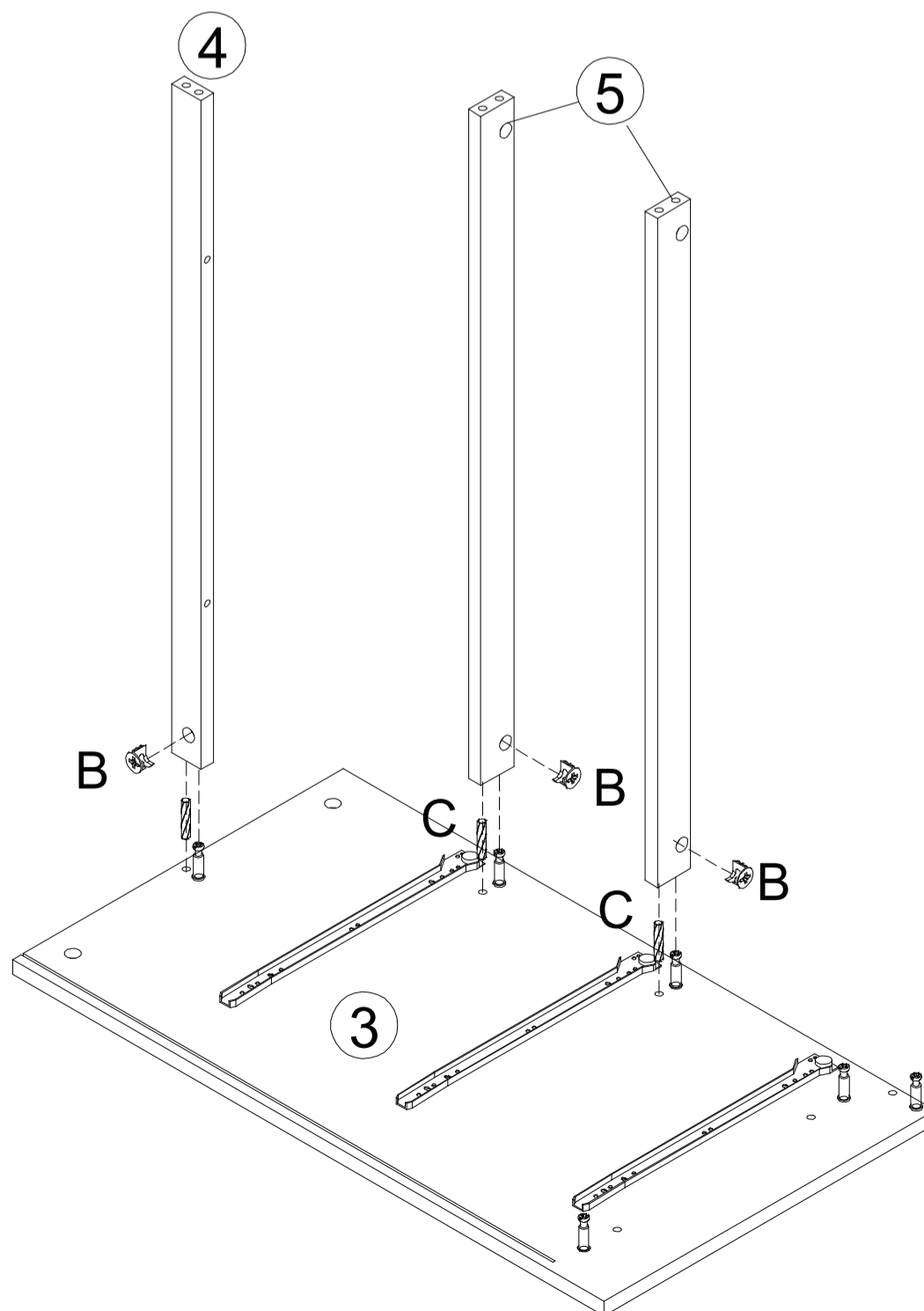
STEP 1

| | | |
|----|---|----|
| A |  | 12 |
| H |  | 18 |
| CL |  | 3 |
| CR |  | 3 |

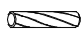


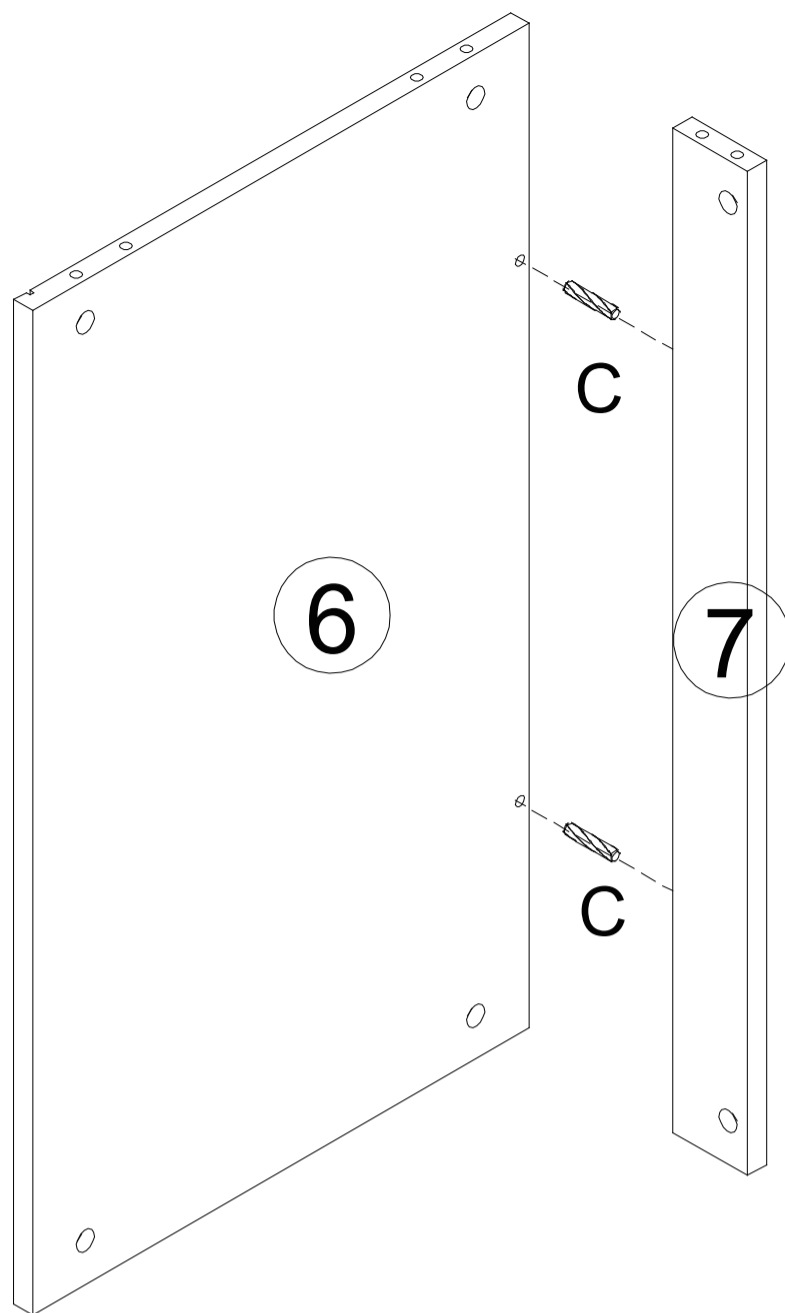
STEP 2

| | | |
|---|---|---|
| B |  | 3 |
| C |  | 3 |





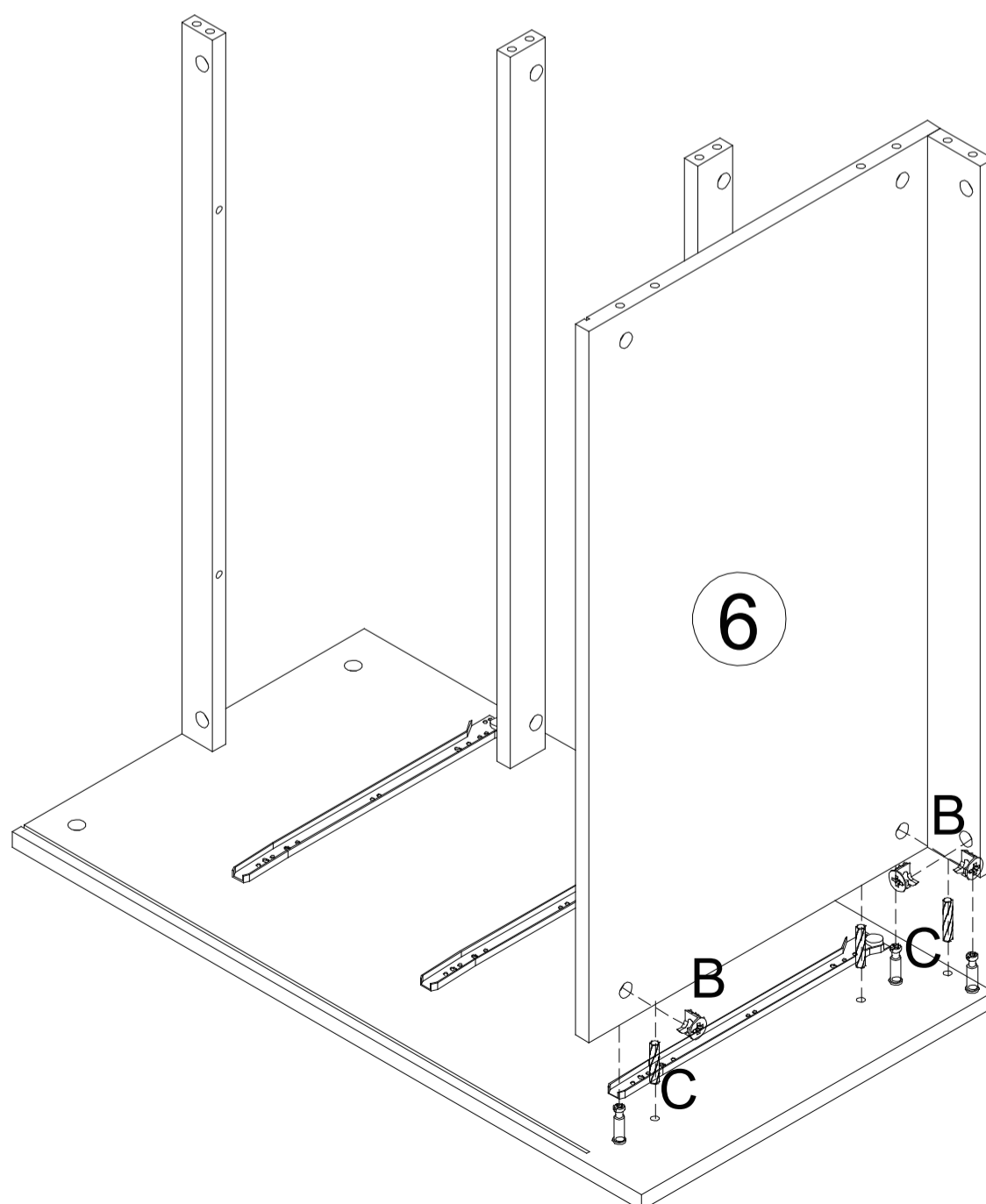
STEP 3

| | | |
|---|---|---|
| C |  | 2 |
|---|---|---|





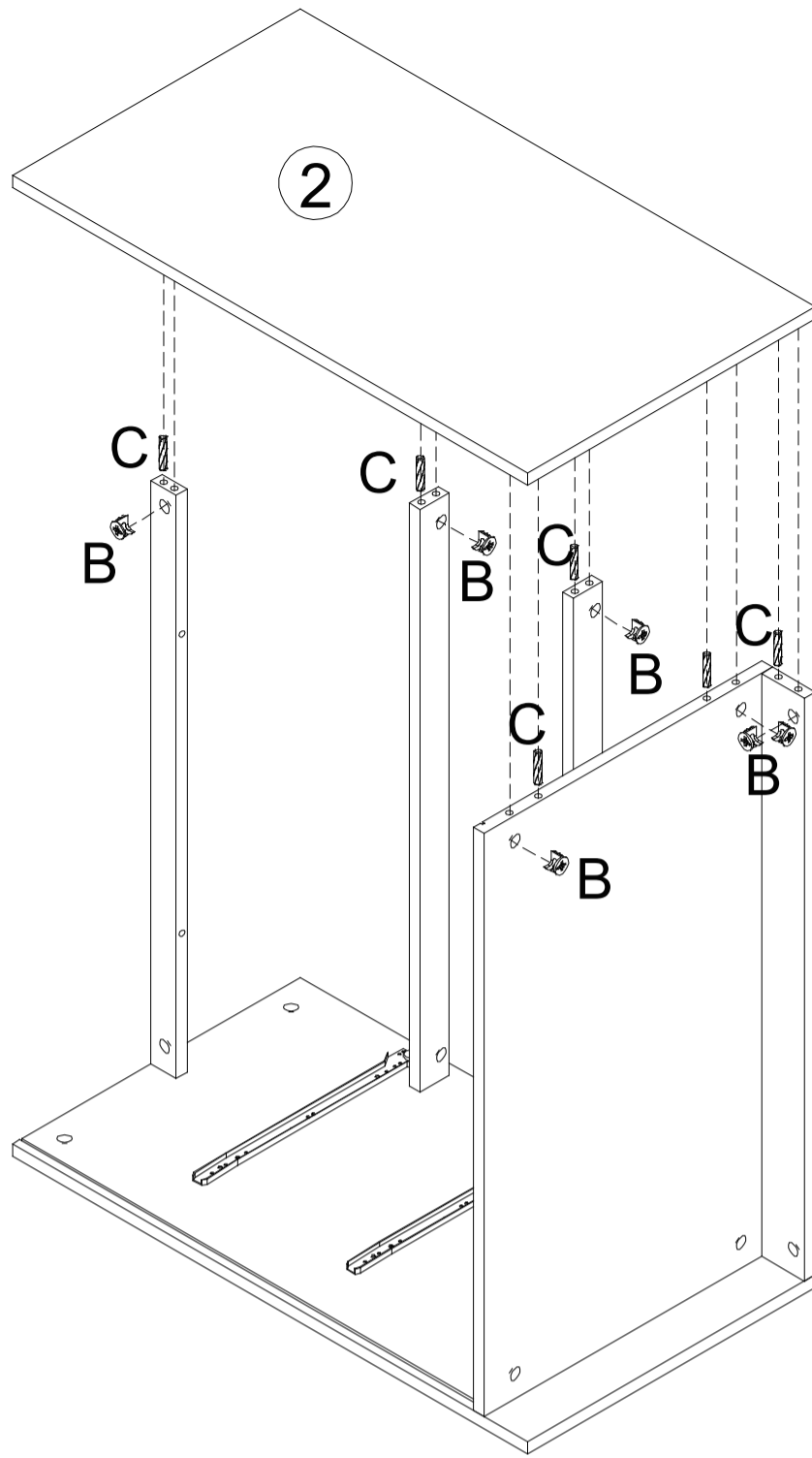
STEP 4

| | | |
|---|---|---|
| B |  | 3 |
| C |  | 3 |

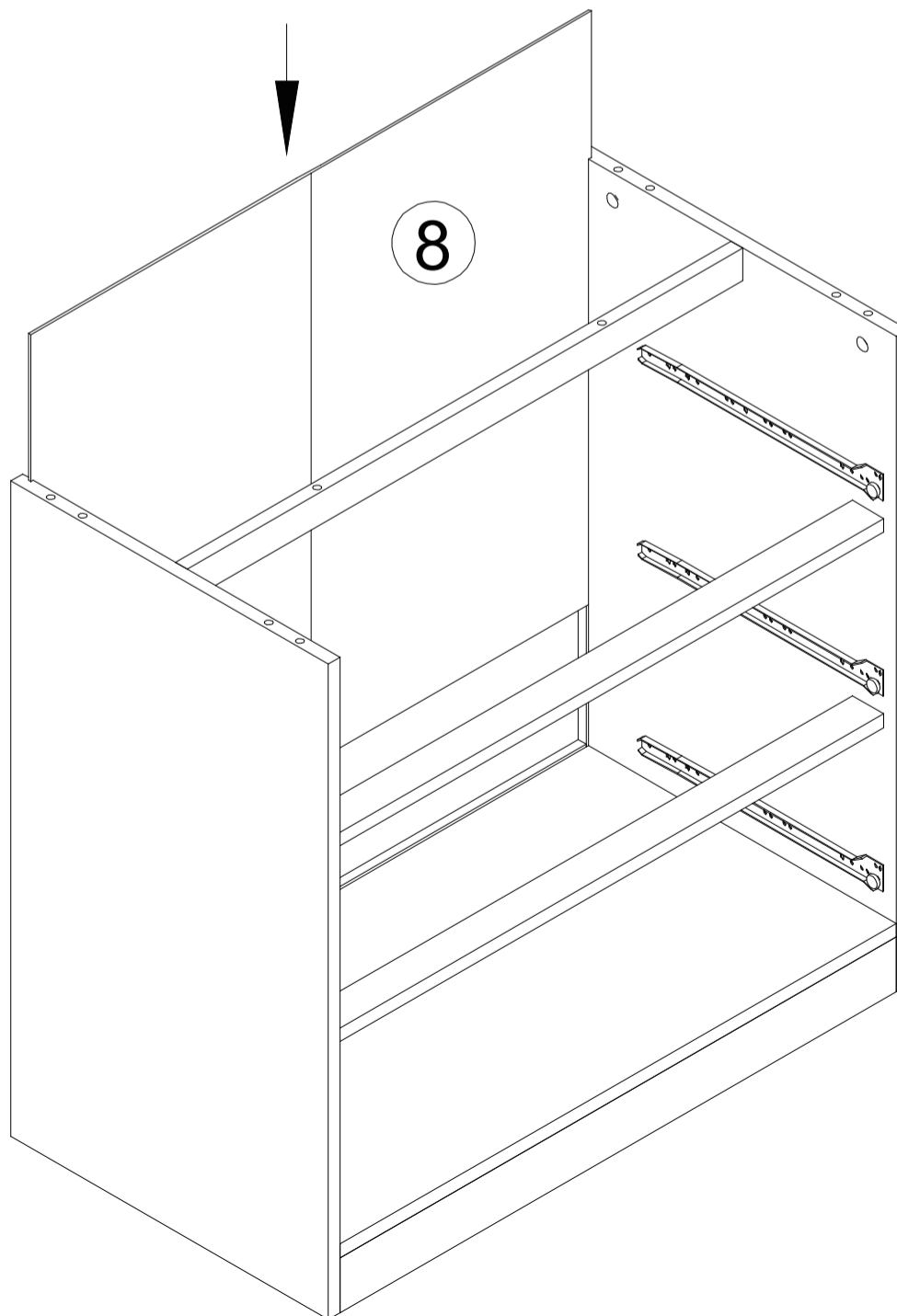


STEP 5

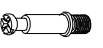
| | | |
|---|---|---|
| B |  | 6 |
| C |  | 6 |

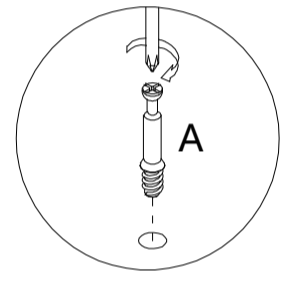
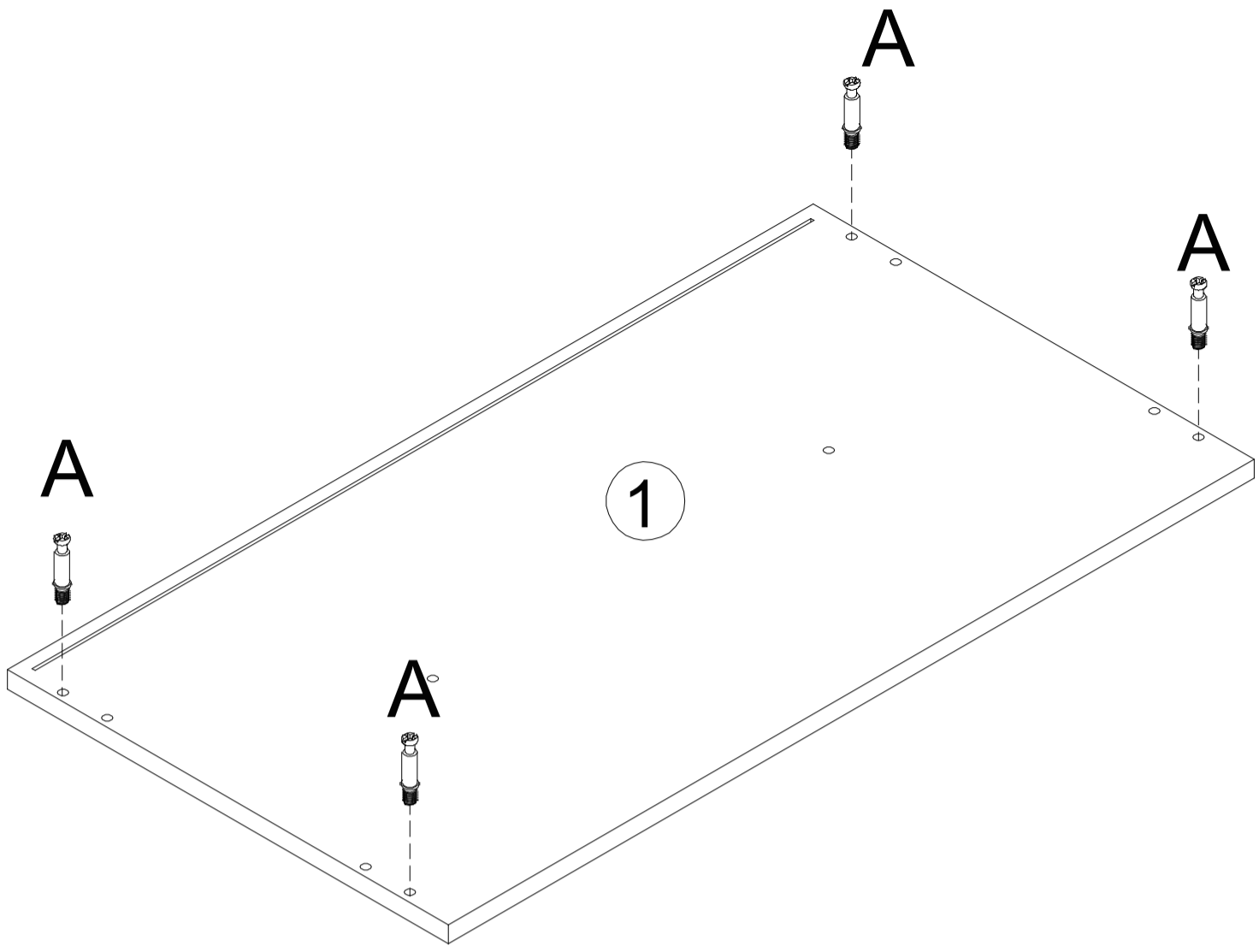


STEP 6


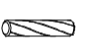
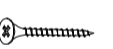


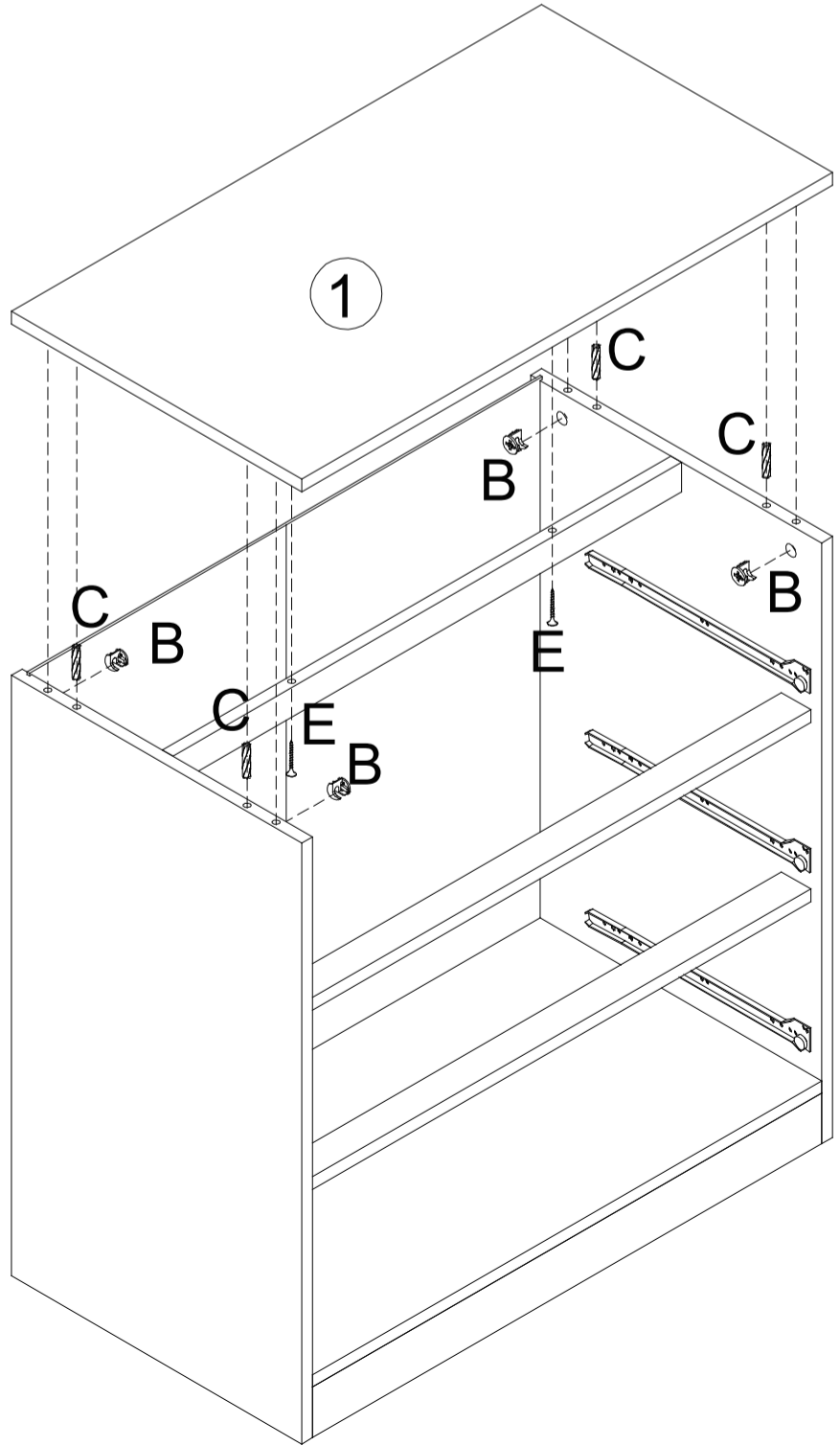
STEP 7

| | | |
|---|--|---|
| A |  | 4 |
|---|--|---|

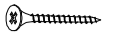


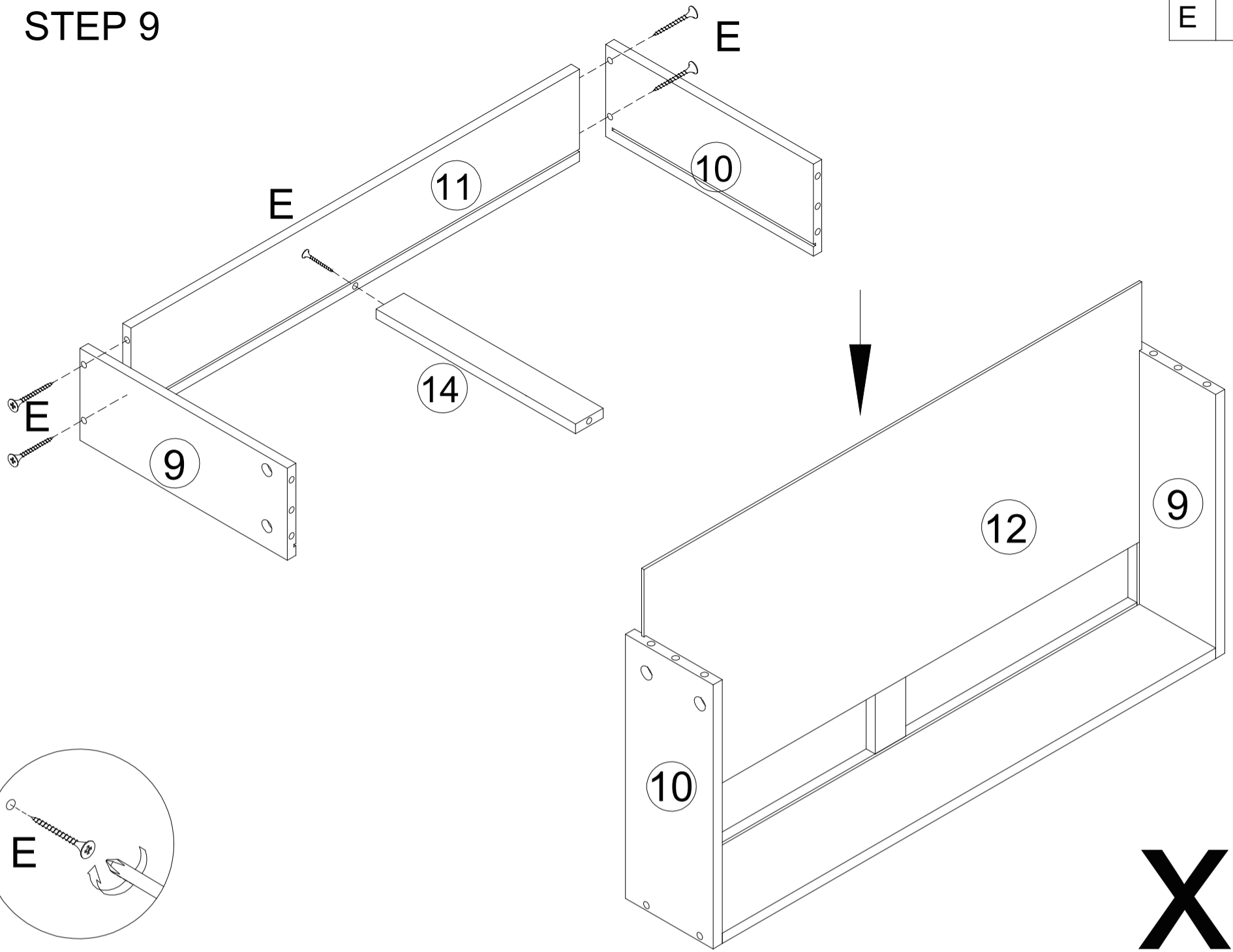
STEP 8

| | | |
|---|---|---|
| B |  | 4 |
| C |  | 4 |
| E |  | 2 |





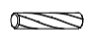
STEP 9

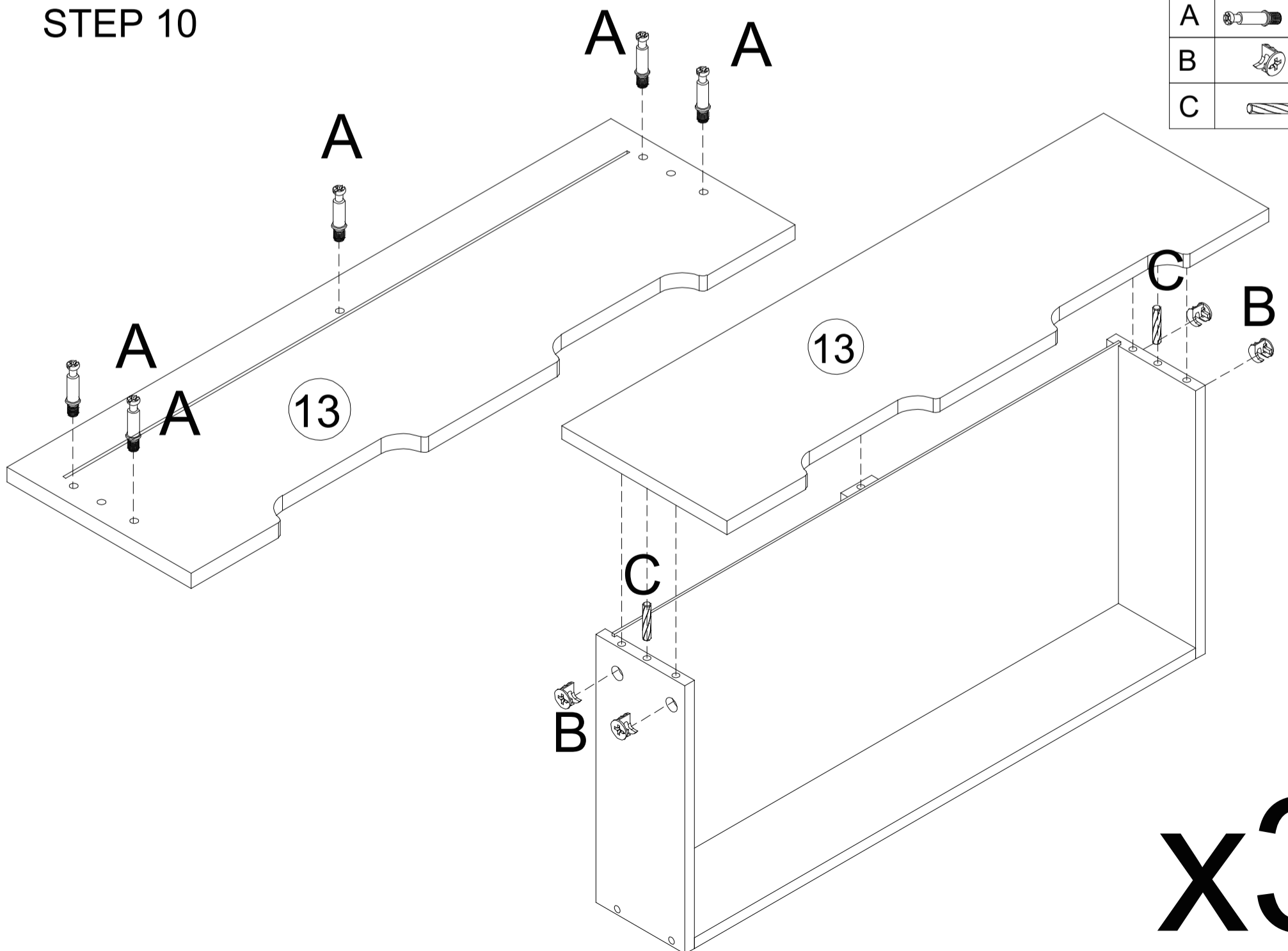
| | | |
|---|--|----|
| E |  | 15 |
|---|--|----|



x3




STEP 10

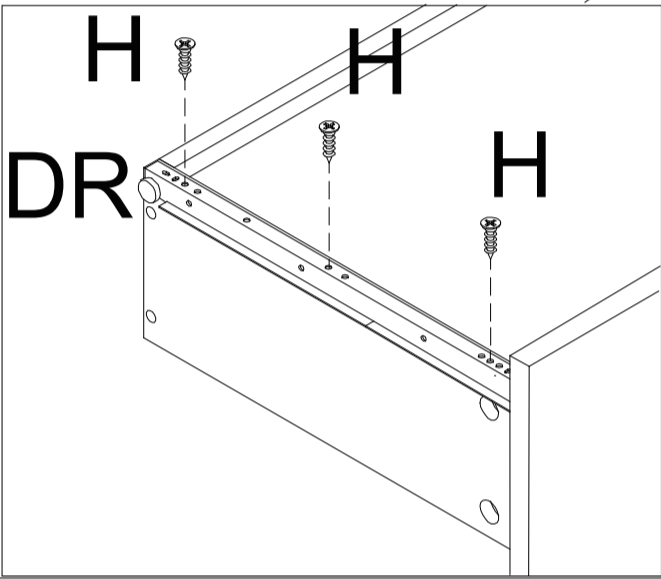
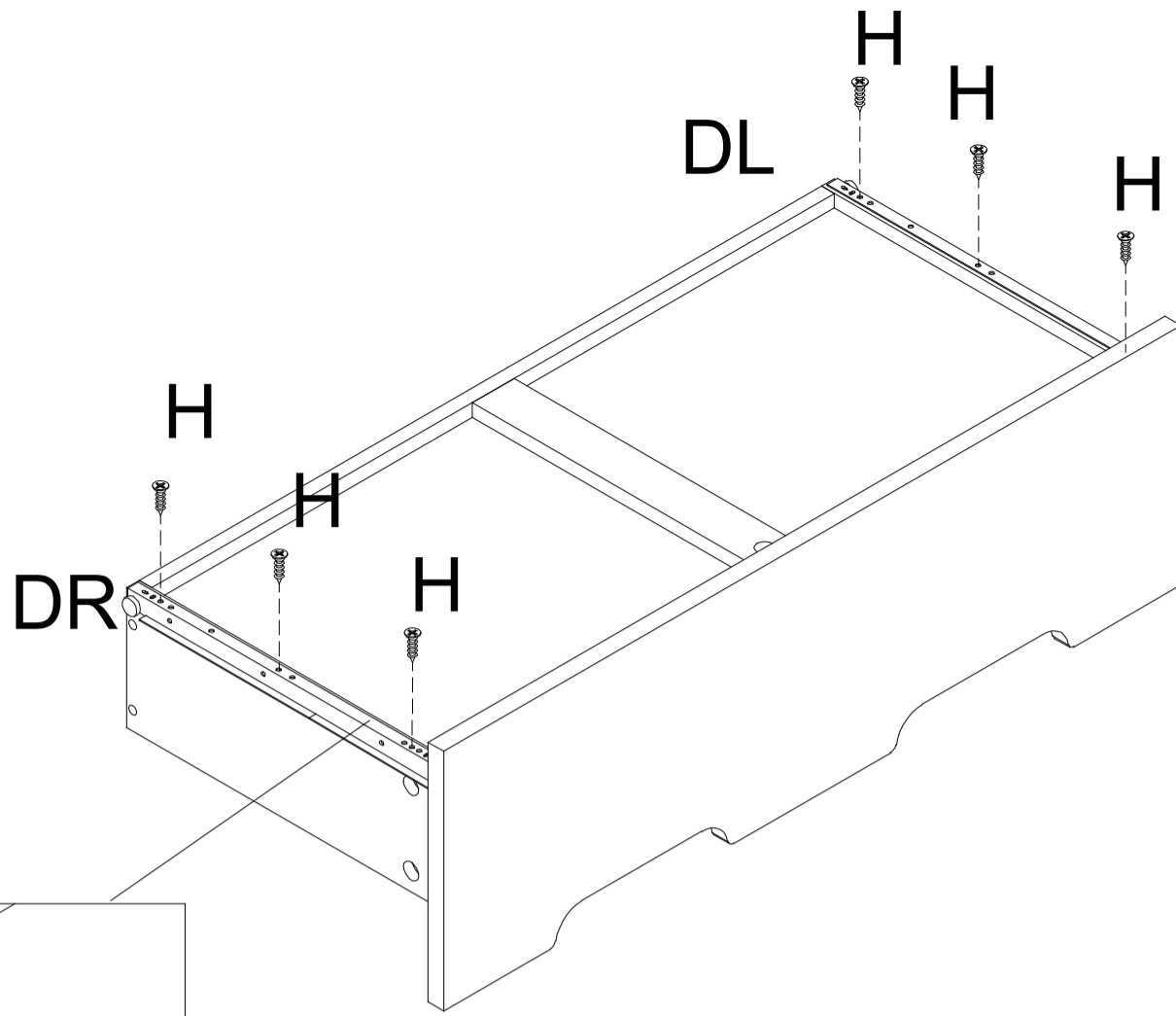
| | | |
|---|---|----|
| A |  | 15 |
| B |  | 15 |
| C |  | 6 |



x3

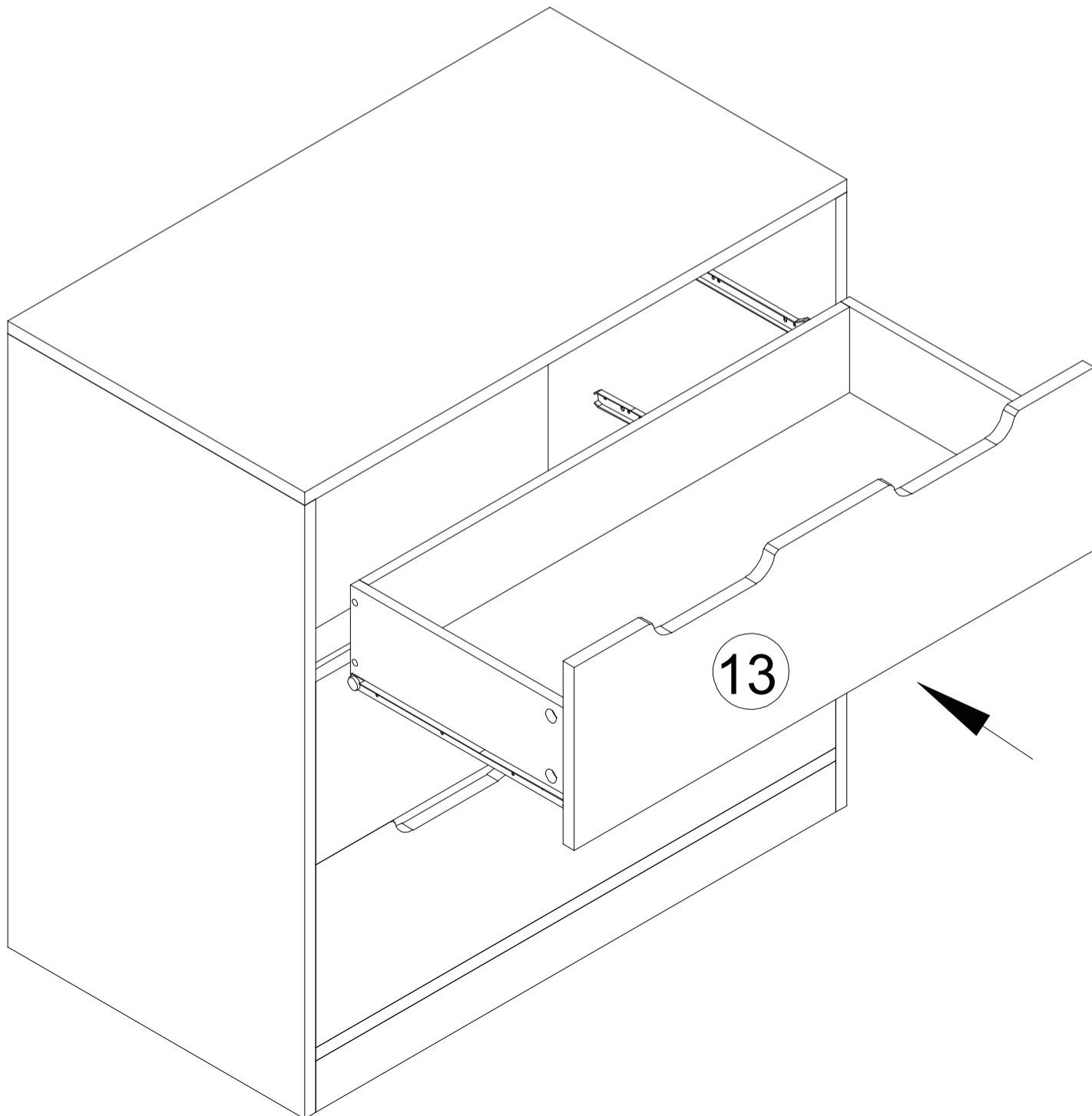
STEP 11

| | | |
|----|---|----|
| H |  | 18 |
| DL |  | 3 |
| DR |  | 3 |





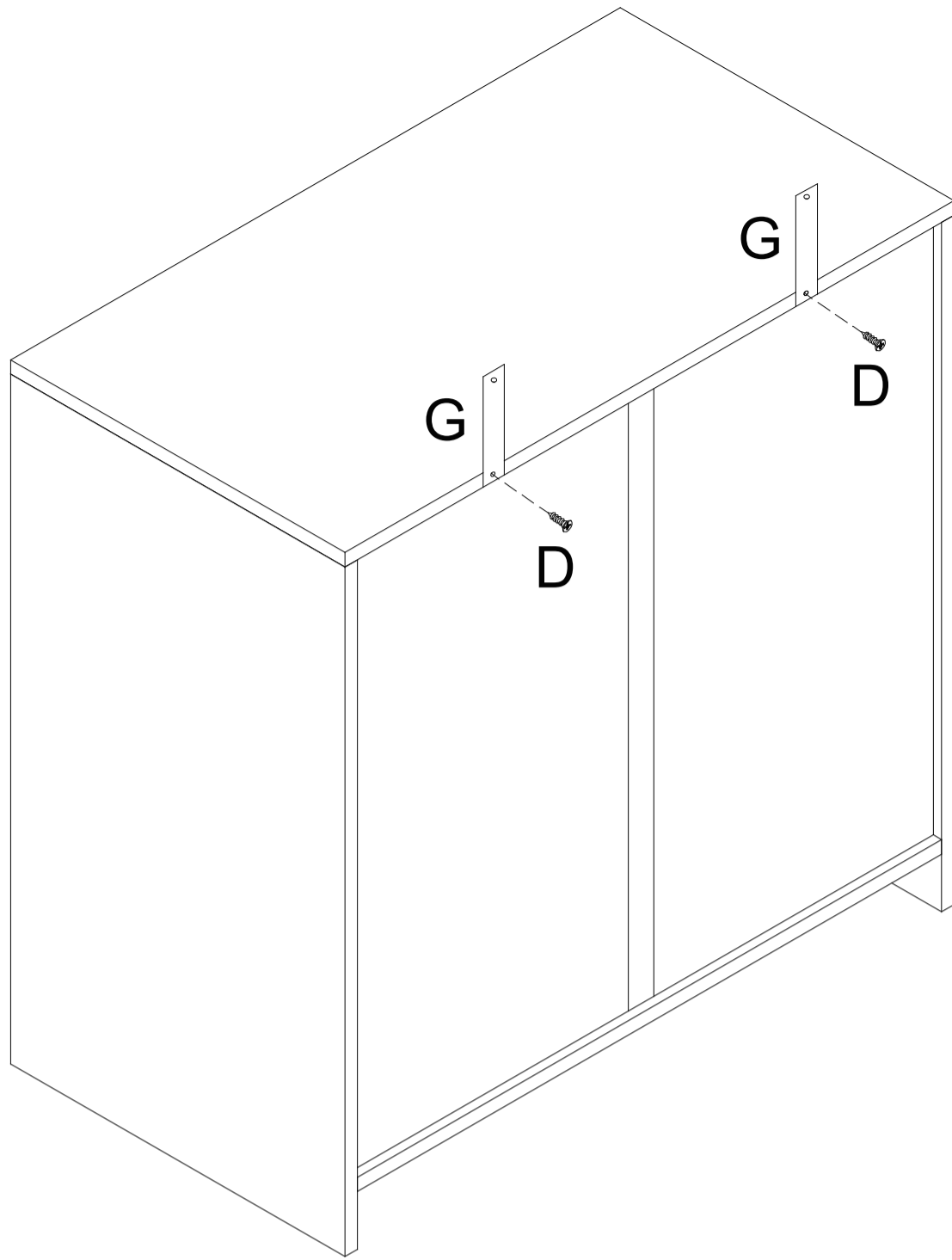
x3

STEP 12


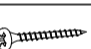


STEP 13

| | | |
|---|---|---|
| D |  | 2 |
| G |  | 2 |



STEP 14

| | | |
|---|---|---|
| F |  | 2 |
| E |  | 2 |

